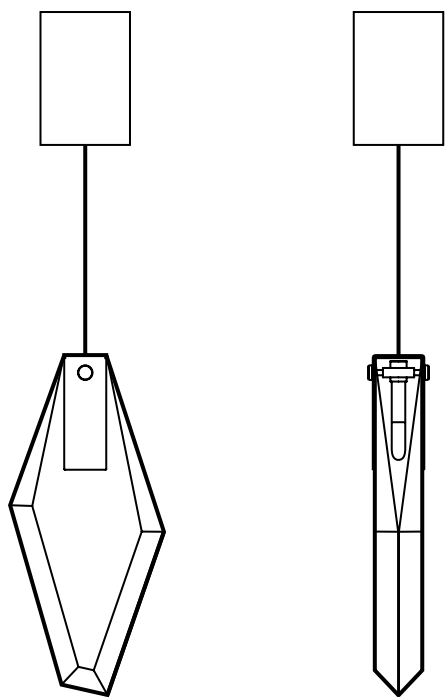


fragments

Design by
Dechem Studio



bomma

bomma.cz

TECHNICAL SHEET
FOR PENDANT LIGHT FIXTURES

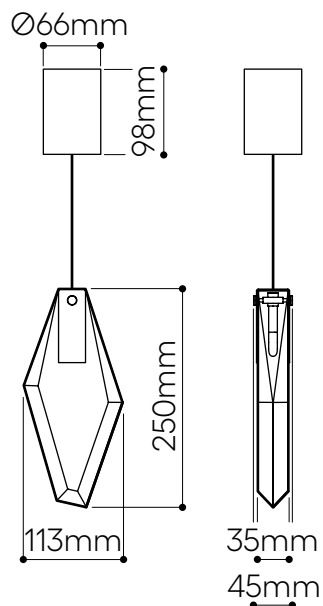
FRAGMENTS

pendant long

Design by
Dechem Studio

Handmade glass attributes

Each Fragmentglass panel is uniquely crafted by stacking glass shards in a melting mould. This process introduces natural elements like bubbles and iron traces, which enhance the panel's aesthetic. While designers control the colour, shard size, and format, the final appearance may vary due to the unpredictable melting process. These variations are intentional and add to the panel's uniqueness.



LIGHTING DESCRIPTION

| | |
|-----------------|--|
| Size | 113 x 45 mm, H 250 mm 4,4 x 1,8 inch, H 9,8 inch |
| Cable | transparent 2,5 m / 98,4 inch |
| Weight | + - 1,5 kg / 3,3 lb |
| Glass | Fragmentglass in black, white and flamingo mint color |
| Mounting | brushed gold (brushed brass) anthracite (brass and galvanized black nickel) |
| Protection | IP 20 |
| Nominal voltage | 220-240V A.C. 50 hz (EU) 110-120 V A.C. 60 Hz (USA) |
| Class | III. EU / II. USA |

LIGHT SOURCE

| | |
|-------------|--|
| Type | G4, 1,2W LED, 100 lm |
| Base | G4 (EU) / G4 (USA) |
| Voltage | 12V, AC |
| Temperature | 2700 K |
| Color index | RA 90+ |
| Dimming | EU/Other versions - dimmable in constellations, non dimmable as a single pendant. UL/The Americas - dimmable in constellations and as a single pendant. |

TRANSFORMER

| | |
|---------|---------------------------|
| Primary | 100-240V, 50/60 Hz, 0,04A |
| Dimmer | DC 700mA (0,5V-4V), 1x3W |

PACKAGING

| | |
|----------|--|
| Material | Cardboard |
| Size | 392 x 392 x 120 mm 15,4 x 15,4 x 4,7 inch |

Origin: traditionally produced in the Czech Republic
Intellectual property license holder: Bomma Czech Republic (EU)
Represented by BMRC group s.r.o.

CERTIFICATES

